



Retroreflective sensor RL29-55/73c/136

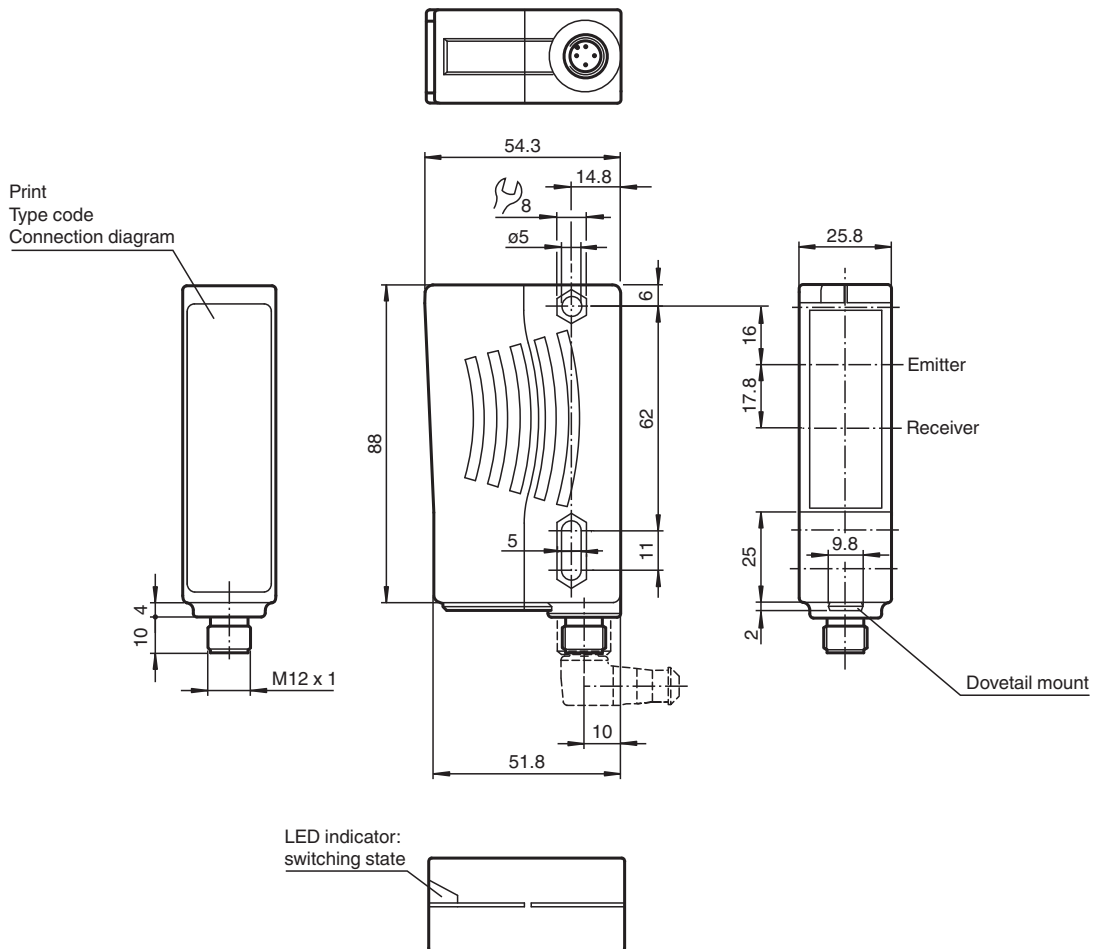


- Highly visible LED
- Powerful push-pull output
- Optimal price/power ratio
- Protection class II

Retroreflective sensor with polarization filter



Dimensions



Technical Data

General specifications

Effective detection range	0.1 ... 7 m
Threshold detection range	10 m

Release date: 2020-10-08 Date of issue: 2020-10-08 Filename: 801762_eng.pdf

Refer to "General Notes Relating to Pepperl+Fuchs Product Information".

Pepperl+Fuchs Group
www.pepperl-fuchs.com

USA: +1 330 486 0001
fa-info@us.pepperl-fuchs.com

Germany: +49 621 776 1111
fa-info@de.pepperl-fuchs.com

Singapore: +65 6779 9091
fa-info@sg.pepperl-fuchs.com

PF PEPPERL+FUCHS

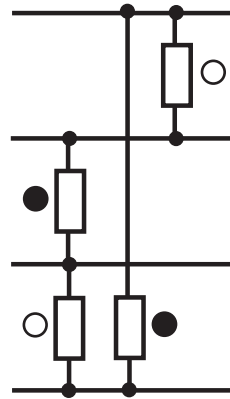
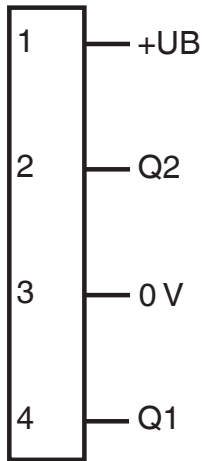
Technical Data

Reference target	H85 reflector	
Light source	LED, 660 nm	
Light type	modulated visible red light	
Polarization filter	yes	
Diameter of the light spot	approx. 150 mm at a distance of 7 m	
Angle of divergence	Emitter: 1.2 ° , Receiver: 2 °	
Ambient light limit	80000 Lux	
Functional safety related parameters		
MTTF _d	1982.2 a	
Mission Time (T _M)	20 a	
Diagnostic Coverage (DC)	0 %	
Indicators/operating means		
Function indicator	LED yellow, light with free light beam , flashes when falling short of the stability control	
Electrical specifications		
Operating voltage	U _B	10 ... 30 V DC , class 2
Ripple		10 %
No-load supply current	I ₀	≤ 30 mA
Output		
Switching type	dark on	
Signal output	2 push-pull (4 in 1) outputs, short-circuit protected, reverse polarity protected	
Switching voltage	max. 30 V DC	
Switching current	max. 100 mA	
Switching frequency	f	500 Hz
Response time	1 ms	
Conformity		
Product standard	EN 60947-5-2	
Approvals and certificates		
UL approval	cULus Listed, Class 2 Power Source, Type 1 enclosure	
CCC approval	CCC approval / marking not required for products rated ≤36 V	
Approvals	CE, cULus Listed 57M3 (Only in association with UL Class 2 power supply; Type 1 enclosure)	
Ambient conditions		
Ambient temperature	-25 ... 60 °C (-13 ... 140 °F)	
Storage temperature	-40 ... 75 °C (-40 ... 167 °F)	
Mechanical specifications		
Housing width	25.8 mm	
Housing height	88 mm	
Housing depth	54.3 mm	
Degree of protection	IP65	
Connection	Plastic connector M12 x 1, 4-pin	
Material		
Housing	Plastic ABS	
Optical face	plastic	
Mass	70 g	

Release date: 2020-10-08 Date of issue: 2020-10-08 Filename: 801762_eng.pdf

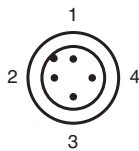
Connection Assignment

Option:



○ = Light on
● = Dark on

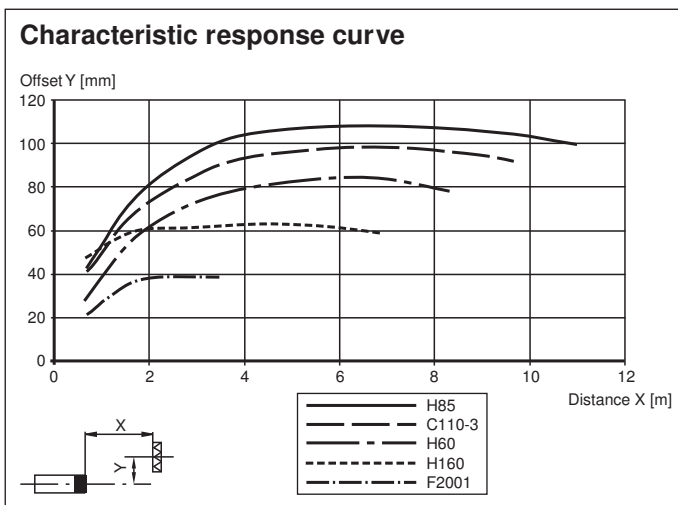
Connection Assignment



Wire colors in accordance with EN 60947-5-2

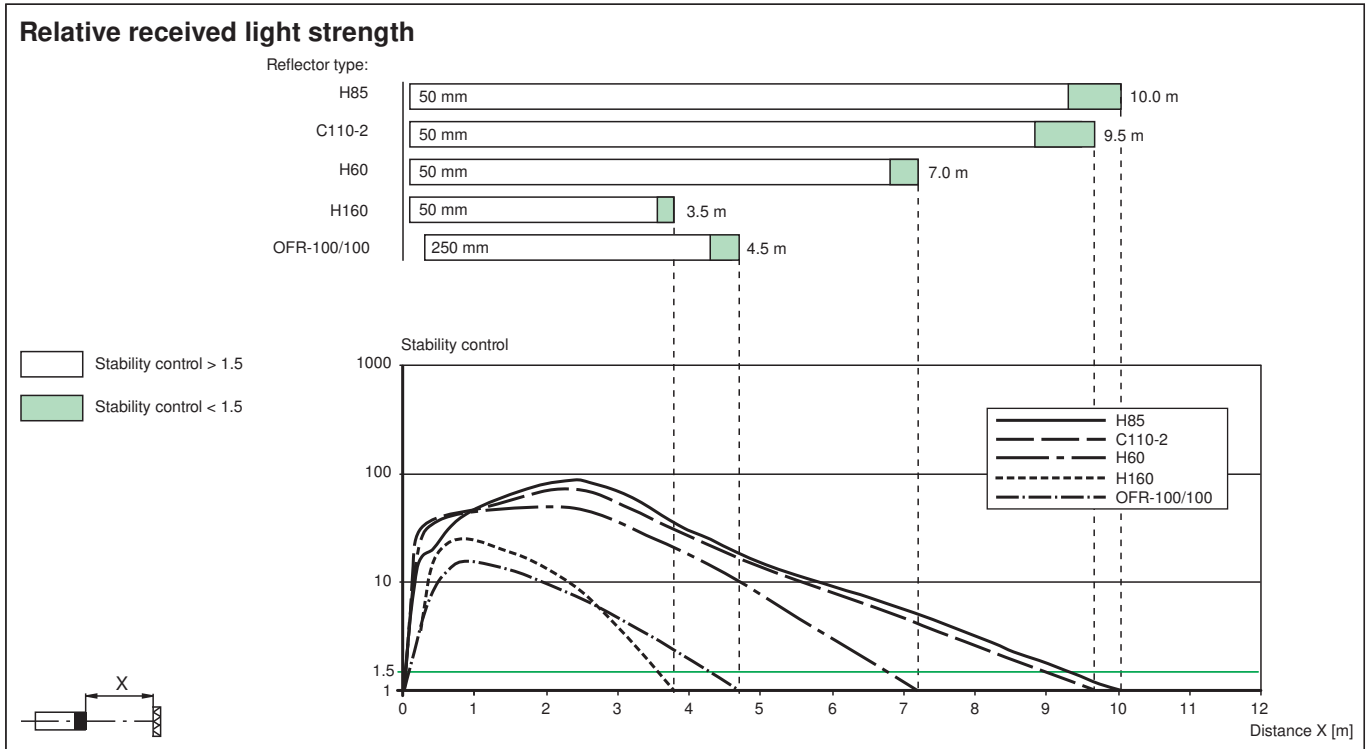
1	BN	(brown)
2	WH	(white)
3	BU	(blue)
4	BK	(black)

Characteristic Curve



Release date: 2020-10-08 Date of issue: 2020-10-08 Filename: 801762_eng.pdf

Refer to "General Notes Relating to Pepperl+Fuchs Product Information".



Accessories

	OMH-05	Mounting aid for round steel \varnothing 12 mm or sheet 1.5 mm ... 3 mm
	OMH-21	Mounting bracket
	OMH-22	Mounting bracket
	OMH-RLK29-HW	Mounting bracket for rear wall mounting
	OMH-RL28-C	Weld slag cover model
	V1-G-2M-PUR	Female cordset, M12, 4-pin, PUR cable
	V1-W-2M-PUR	Female cordset, M12, 4-pin, PUR cable

Release date: 2020-10-08 Date of issue: 2020-10-08 Filename: 801762_eng.pdf

Components

Suitable reflectors and cable sockets can be found in the Internet

Release date: 2020-10-08 Date of issue: 2020-10-08 Filename: 801762_eng.pdf

Refer to "General Notes Relating to Pepperl+Fuchs Product Information".

Pepperl+Fuchs Group
www.pepperl-fuchs.com

USA: +1 330 486 0001
fa-info@us.pepperl-fuchs.com

Germany: +49 621 776 1111
fa-info@de.pepperl-fuchs.com

Singapore: +65 6779 9091
fa-info@sg.pepperl-fuchs.com

 **PEPPERL+FUCHS**